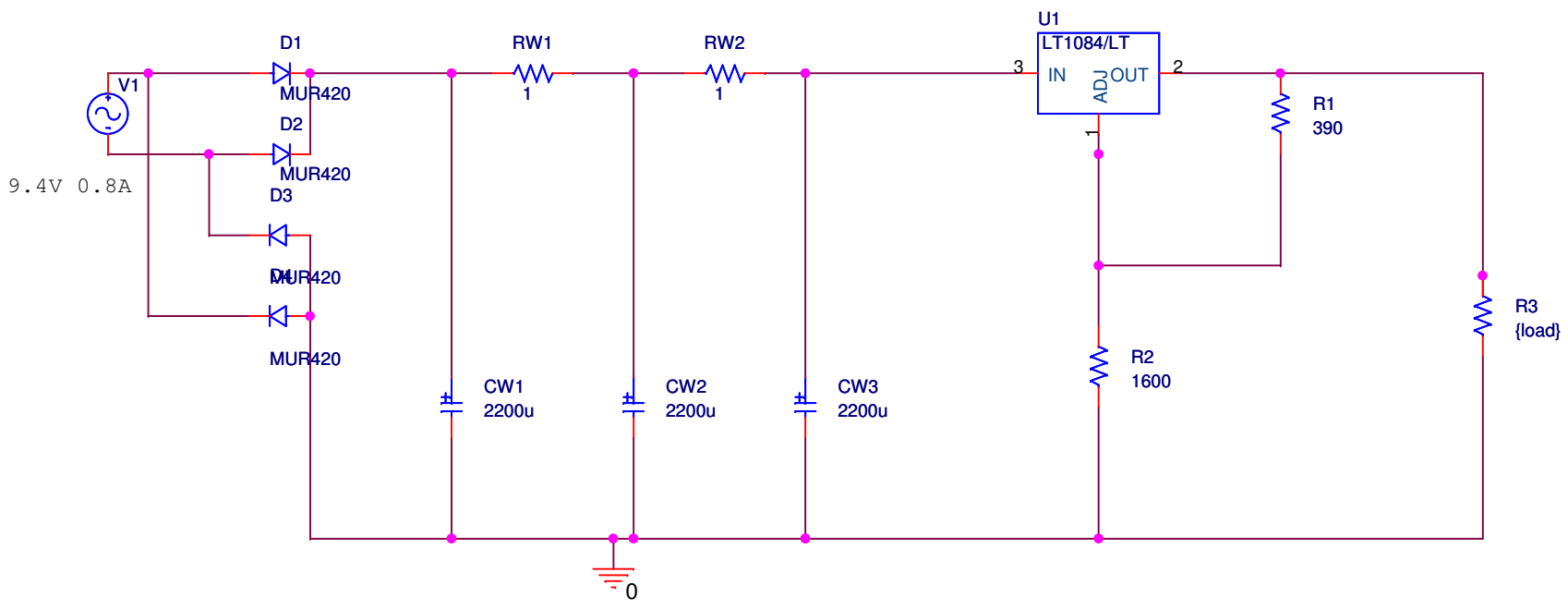


V_{OFF} = 0
V_{AMPL} = 12.09
FREQ = 50

PARAMETERS:
load = 21



Title		
<Title>		
Size	Document Number	Rev
A	<Doc>	<RevCode>
Date:	Thursday, September 21, 2017	Sheet 1 of 1